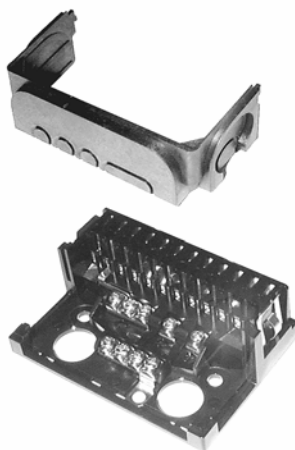
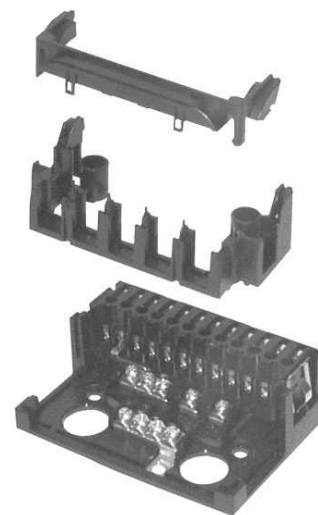


AGK11... plug-in base
with AGK65... cable gland holder



AGK11... plug-in base
with AGK66 cable gland holder



AGK11... plug-in base
with AGK67.1 (bottom part) and
AGK67.2 (top part) cable holder

Connection Accessories for small Burner Controls

**AGK11...
AGK65...
AGK66
AGK67...**

Accessories for connecting small-capacity burner controls to combustion plant.

The AGK11..., AGK65..., AGK66, AGK67... and this Data Sheet are intended for use by OEMs which integrate the accessory items in their products.

Use

The AGK... are for use in connection with the following types of burner controls:

LGA...
LGB...
LGD1...
LMG...
LOA...
LMO...

The AGK11... plug-in base is suited for use with the AGK65... cable gland holders or the AGK66 or AGK67... cable holders.

Warning notes



To avoid injury to persons, damage to property or the environment, the following warning notes should be observed!

- All activities (mounting, installation and service work, etc.) must be performed by qualified staff
- Before performing only wiring changes in the connection area of the burner control, the unit must be completely isolated from the mains supply (all-polar disconnection)
- Ensure protection against electric shock hazard by providing adequate protection when mounting the burner control
- Check wiring and all safety functions

Mounting notes

- Ensure that the relevant national safety regulations are complied with
- We recommend to connect the gas burner controls with a single-section terminal block (no risk of mixing up when reconnecting)
- Connect the earthing lug on the AGK11... plug-in base to the burner using a metric screw with a lockwasher or similar
- The cable and cable gland holders clip onto the AGK11... plug-in base

Installation notes

- Do not mix up live and neutral conductors
- Decisive for the electrical connections of valves and other burner plant components are the plant diagram and the Mounting and Commissioning Instructions provided by the burner supplier
- To isolate the plant from the mains supply, use an all-polar switch with a contact gap of at least 3 mm
- To protect the burner control electrically, install a primary fuse
- To prevent wrong combinations of bases and burner controls, the AGK11.6 plug-in base may only be used in connection with oil burner controls featuring postpurging (e.g. LMO64...)

Commissioning notes

- Before putting the burner control into operation, check wiring carefully

Standards and certificates



Conformity to EEC directives

- Electromagnetic compatibility EMC (immunity)
- Low-voltage directive

89 / 336 EEC
73 / 23 EEC



ISO 9001: 2000
Cert. 00739



ISO 14001: 1996
Cert. 38233

Service notes

- Check wiring and all safety functions each time a unit has been replaced

Disposal notes



Both plug-in base and cable gland holders may not be disposed of together with household waste.
Local and currently valid legislation must be observed.

Mechanical design

- AGK11... plug-in base
- Made of impact-proof and heat-resistant plastic
 - Accommodates (in addition to the 12 connection terminals):
 - 3 neutral terminals, prewired to terminal 2, the neutral input
 - 4 earth conductor terminals, joining in a lug for earthing the burner
 - 2 auxiliary terminals marked «31» and «32»
 - With 2 holes in the baseplate of the AGK11... for cable entry
 - Provided with catches on the 2 narrow sides which audibly engage when the burner control is plugged in
 - To disengage, a screwdriver must be slightly tilted in the guiding slots
 - Neutral and auxiliary terminals with self-tapping screws
 - Connection terminals with self-locking screws
 - Supplied with terminals open to facilitate mounting
 - The burner control with the AGK11... is secured to the burner with fixing screws M5
- AGK11.6 plug-in base
- Color: Silver-grey RAL 9001
 - May only be used in connection with oil burner controls featuring postpurging (e.g. LMO64...)
- AGK65 cable gland holder
- Made of impact-proof and heat-resistant plastic
 - Insertable into the AGK11... plug-in base
 - With 5 threaded knockout holes for nonmetallic Pg11 cable glands
 - 3 on the front and 1 on each of the other sides
 - Removable
- AGK65.1 cable gland holder
- Made of impact-proof and heat-resistant plastic
 - Insertable into the AGK11... plug-in base
 - With 5 threaded knockout holes for nonmetallic M16 x 1.5 cable glands
 - 3 on the front and 1 on each of the other sides
 - Removable
- AGK66 cable holder
- Made of impact-proof and heat-resistant plastic
 - Insertable into the AGK11... plug-in base
 - With 6 knockout holes for cable entry, without cable strain relief
 - 1 x 8.8 mm dia. and 1 x 17 mm dia. laterally, 3 x 7 mm dia. on the front, and 1 rectangular opening 6 x 20 mm on the front
 - Can be used in place of the cable gland holder (refer to «Ordering»)
- AGK67... cable holder
- Made of impact-proof and heat-resistant plastic
 - Consisting of 2 parts
 - AGK67.1 bottom
 - AGK67.2 top
 - The AGK67.1 has 2 protective noses
 - The burner control with the AGK11... is secured to the burner with fixing screws M4. Protective noses can be broken off to allow the use of M5 fixing screws
 - Connection between AGK67.1 and AGK67.2
 - Via 4 studs and 2 small catches
 - Connection between AGK67.1 and AGK11...
 - Via 2 dovetails

Ordering

Plug-in base (standard)	AGK11
- With 2 holes in baseplate	
- Black	
Plug-in base (for LMO64...)	AGK11.6
- With 2 holes in baseplate	
- Silver-gray RAL 9001	
Cable gland holder	AGK65
- Pg11	
Cable gland holder	AGK65.1
- M16 x 1.5	
Cable holder with knockout holes	AGK66
Cable holder for strain relief elements, consisting of 2 parts	
- Bottom	AGK67-1
- Top	AGK67-2

Accessories

Cable strain relief elements	
- Strain relief, large, for cable dia. 6.8 ±0.2 mm	AGK68.741
- Strain relief, large, for cable dia. 8.2 ±0.2 mm	AGK68.742
- Strain relief, large, for cable dia. 9.2 ±0.2 mm	AGK68.743
- Strain relief, small, for cable dia. 4.5 ±0.2 mm	AGK68.731
- Strain relief, small, for cable dia. 5.3 ±0.2 mm	AGK68.732
- Strain relief, small, for cable dia. 5.8 ±0.2 mm	AGK68.733
- Dummy element, large (with hole)	AGK68.721
- Dummy element, large	AGK68.72
- Dummy element, small	AGK68.71

Technical data

General data	Weight	
	- AGK11... plug-in base	approx. 80 g
	- AGK66 cable holder	approx. 12 g
	- AGK65... cable gland holder	approx. 12 g
	- AGK67.1 bottom section	approx. 4 g
	- AGK67.2 top section	approx. 10 g
Tightening torque		to EN 60 335-1
- Cable with ferrules		50 Ncm
Loosening torque		40 Ncm
Cross sectional areas that can be connected to AGK11...		
- Terminals 1...12		min. 0.5 mm ² max. 1.5 mm ² solid or stranded wire with ferrule
- Auxiliary terminals N, PE, 31 and 32		min. 0.5 mm ² max. 1.5 mm ² solid or stranded wire with ferrule (if 2 wires are connected to the same terminal, they must have the same cross-sectional area)
AGK67... cable holder	Cable strain relief	
	Perm. weight of burner components (suspended)	to EN 60 335-1 max. 1 kg
	Length of conductor in a loop	min. 10 mm
	Neutral and auxiliary terminals	
	- Screwdriver	to DIN 5 264
or		
- Philips screwdriver	to DIN 5 260-PZ1	
Environmental conditions	Transport	
	Climatic conditions	DIN EN 60 721-3-2 class 2K2
	Mechanical conditions	class 2M2
	Temperature range	-40...+60 °C
	Humidity	< 95 % r.h.
	Operation	
	Climatic conditions	DIN EN 60 721-3-3 class 3K5
	Mechanical conditions	class 3M2
	Temperature range	-20...+60 °C
	Humidity	< 95 % r.h.

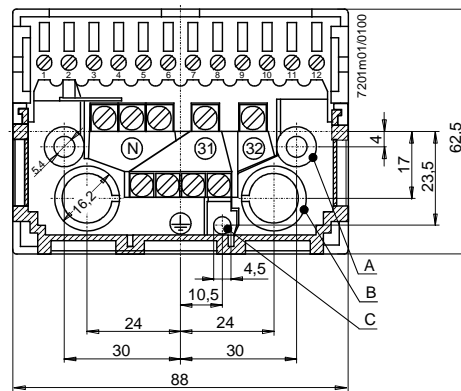


Condensation, formation of ice and ingress of water are not permitted!

Dimensions

Dimensions in mm

AGK11... plug-in base



AGK11... plug-in base with screw terminals

- «A»: Holes for fixing screws
- «B»: Holes for cable entry
- «C»: Earthing lug
- «31» and «32»: Auxiliary terminals

«N»: Neutral terminals, connected to neutral input (terminal 2)

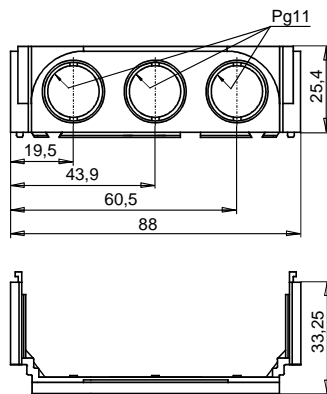
Underneath:
4 earth conductor terminals, joining in a lug for earthing the burner

Hatched:
Position of AGK65... cable gland holder and AGK66 cable holder

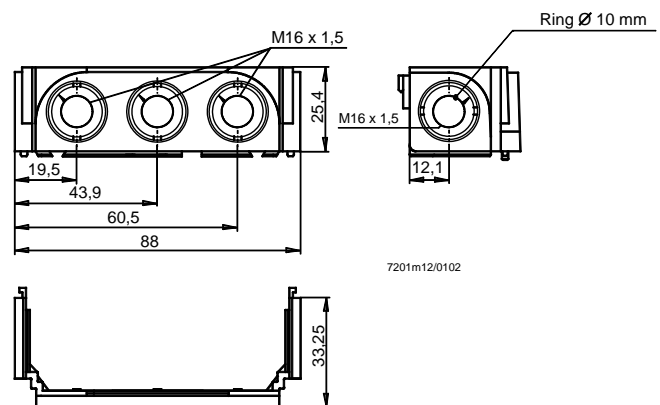


Connection of earthing lug «C» and fixing screw in «A» to the burner's ground (using a metric screw with a lockwasher or similar!)

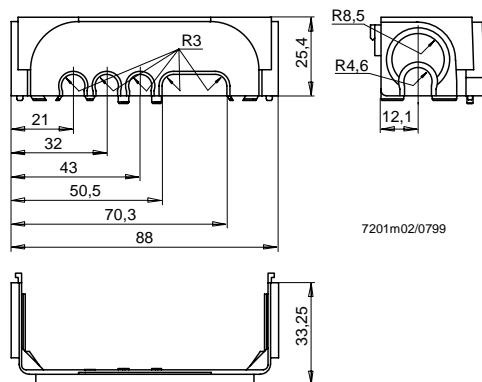
AGK65 cable gland holder



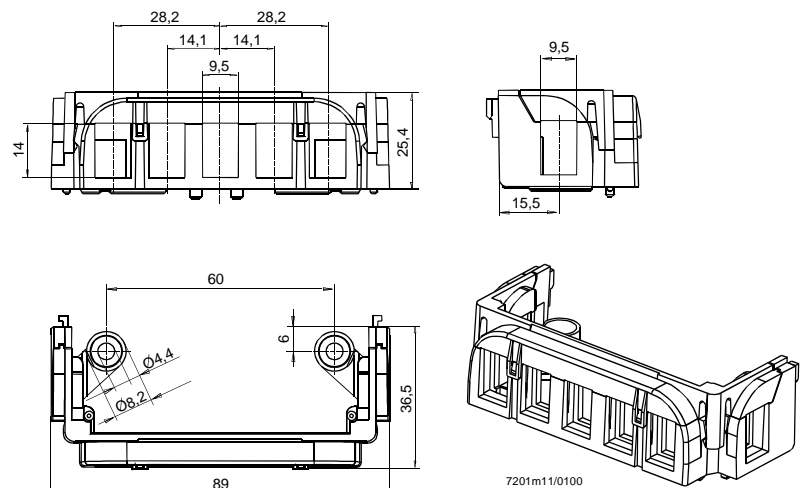
AGK65.1 cable gland holder



AGK66 cable holder

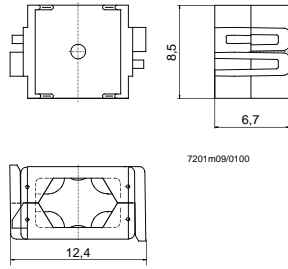


AGK67... cable holder (complete)

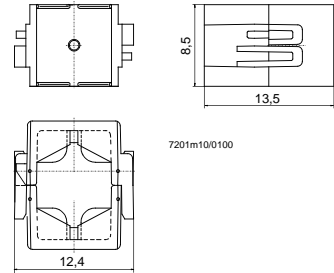


Dimensions in mm

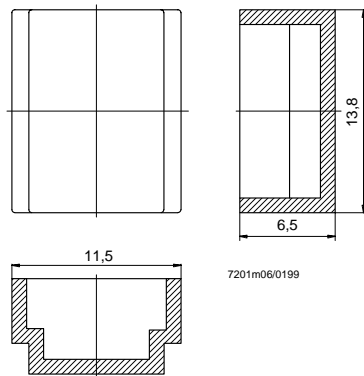
Cable strain relief, small (2 parts)



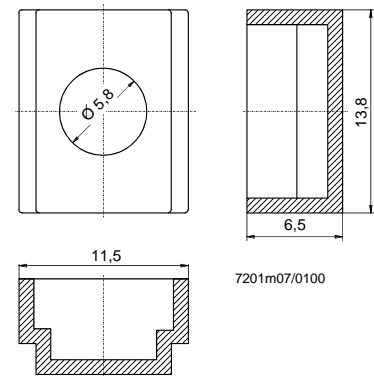
Cable strain relief, large (2 parts)



Dummy element, large, for AGK67... cable holder



Dummy element, large (with hole), for AGK67... cable holder



Dummy element, small, for AGK67... cable holder

