

FILTRI PER OLIO COMBUSTIBILE con vite di spurgo
FUEL OIL FILTERS with water drain valve



Cod./Cod.	Descrizione/Description	Dim.	P.Max
OF015BV	20306/10 Filtro Cartuccia inox 100µ 20306/10 Filter Stainless steel cartridge 100µ	1/2"	2bar
OF015BV-200	20306/20 Filtro Cartuccia inox 200µ 20306/20 Filter Stainless steel cartridge 200µ	1/2"	2bar
OF015BV-300	20306/30 Filtro Cartuccia inox 300µ 20306/30 Filter Stainless steel cartridge 300µ	1/2"	2bar
OF020BV	20304/10 Filtro Cartuccia inox 100µ 20304/10 Filter Stainless steel cartridge 100µ	3/4"	2bar
OF020BV-200	20304/20 Filtro Cartuccia inox 200µ 20304/20 Filter Stainless steel cartridge 200µ	3/4"	2bar
OF020BV-300	20304/30 Filtro Cartuccia inox 300µ 20304/30 Filter Stainless steel cartridge 300µ	3/4"	2bar
OF025BV	20301/10 Filtro Cartuccia inox 100µ 20301/10 Filter Stainless steel cartridge 100µ	1"	2bar
OFV025BV	20301V10 Filtro biodiesel Cartuccia inox 100µ 20301V10 Biodiesel filter Stainless steel cartridge 100µ	1"	2bar (Viton)
OF025BV-200	20301/20 Filtro Cartuccia inox 200µ 20301/20 Filter Stainless steel cartridge 200µ	1"	2bar
OF025BV-300	20301/30 Filtro Cartuccia inox 300µ 20301/30 Filter Stainless steel cartridge 300µ	1"	2bar

Caratteristiche tecniche/Technical features	
Pmax - Inlet max	2bar
Filtri - Filters	100µ - 200µ - 300µ
Attacchi Inlet-Outlet Connection	1/2" - 1/2" - 1" - ISO 228
Temperatura di esercizio Working temperature	-20° C - +60° C
Utilizzo - Use	Olio combustibile / Fuel oil

Materiali/Materials:

Corpo - Body	Die - Cast Aluminium Gd - AISI12Cu - EN AB 46100
Cartuccia Cartridge	Alluminio Stainless steel

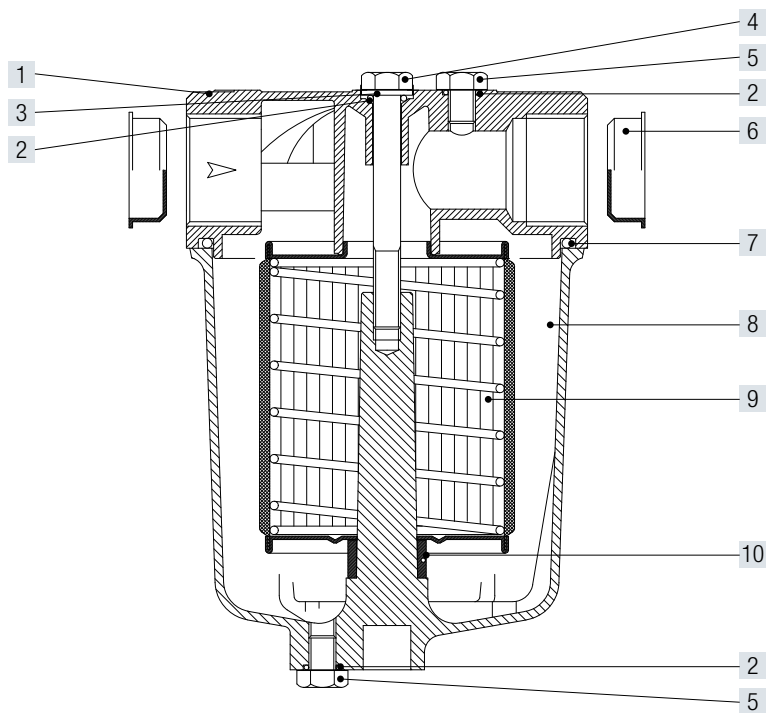
RICAMBI / SPARE PARTS

Cartucce filtranti / Filter cartridge

Cod./Cod.	Mod./Mod.	Descrizione/Description
OFC100-6	20301/C1	100µ - Inox grecata (Corrugated stainless steel) cm² 300
OFC200-6	20301/C2	200µ - Inox grecata (Corrugated stainless steel) cm² 300
OFC300-6	20301/C3	300µ - Inox grecata (Corrugated stainless steel) cm² 530

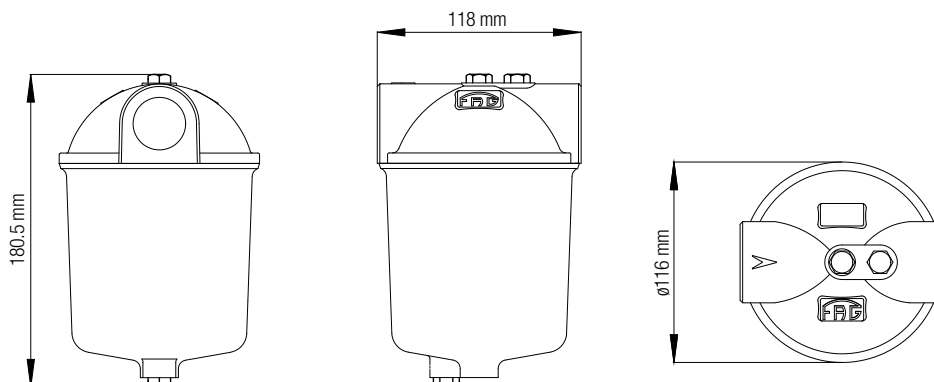
Kit guarnizioni / Gasket kit

Cod./Cod.	Mod./Mod.	Descrizione/Description
OFG-6	-	Kit guarnizioni per serie / Gasket kit for series 20300-20350



- 1** Coperchio - Cover
- 2** O-Ring - O-Ring
- 3** Rondella - Washer
- 4** Vite - Screw
- 5** Vite - Screw

- 6** Tappo - Screw cover
- 7** O-Ring - O-Ring
- 8** Vaschetta - Bowl
- 9** Cartuccia - Cartridge
- 10** Guarnizione o molla - Gasket or spring



Dimensioni / Dimension	1/2"	3/4"	1"
PESO / WEIGHT (g)	910	880	850